



UNIVERSA  
UNIVERSIS  
PATAVINA  
LIBERTAS

# UNIVERSITÀ DEGLI STUDI DI PADOVA

DIPARTIMENTO DI INGEGNERIA CIVILE, EDILE E AMBIENTALE  
*Laboratorio Sperimentale per le Prove sui Materiali da Costruzione*  
DEPARTMENT OF CIVIL, ENVIRONMENTAL AND ARCHITECTURAL ENGINEERING  
*Building materials testing Laboratory*

*Sede: via Marzolo n. 11/A - 35131 PADOVA*  
*Segreteria: +39.049.827.5607*

*Fax: +39.049.827.5587*  
*e-mail: lab.materiali@dicea.unipd.it*

## TEST REPORT N. 35372

Page 1/2

- Applicant:** Eterno Ivica S.r.l., via Austria Z.I. n. 25/E - Padova
- Application:** Received at 22/01/2013
- Material:** 3 samples of pedestal "NEW-MAXI NM4" series, received at 22/01/2013
- Required test:** Measure the maximum compressive load of the specimen and the displacement of the testing machine's crossbar.
- Testing method:** The compression tests were made for all the 3 samples. The components of the pedestal had been assembled and the four tabs removed, the height of pedestal was regulated to the medium (125.0 mm) stroke of the screw.  
Testing speed set to 10 mm/min (checking movement of moving crossbar of the universal testing machine Galdabini, type Sun/60, with a load capacity of 600 kN).  
The load applied with two hardened steel plate at the centred on the pedestal.  
The values of maximum load ( $F_{max}$ ) are the values of load at first failure/rupture.  
The testing machine's certificate of calibration is n°020-13F about Calibration centre LAT n° 34 with due data January 15<sup>th</sup>, 2014.  
Test activities were carried out on April 3<sup>rd</sup>, 2013.  
For any technical and dimensional detail, assembling scheme and any other information not included in this document, brochures and technical data sheets are at Applicant's disposal.

### Test Result

Specimen	Max Load $F_{max}$ [kN]	Stroke at $F_{max}$ [mm]
1	29.88	5.0
2	29.07	4.9
3	29.78	5.5

Padova, May 2<sup>nd</sup>, 2013

Laboratory Chief  
(Prof. **Claudio Modena**)

Department Chief  
(Prof. **Carmelo Majorana**)



UNIVERSA  
UNIVERSIS  
PATAVINA  
LIBERTAS

# UNIVERSITÀ DEGLI STUDI DI PADOVA

DIPARTIMENTO DI INGEGNERIA CIVILE, EDILE E AMBIENTALE  
*Laboratorio Sperimentale per le Prove sui Materiali da Costruzione*  
DEPARTMENT OF CIVIL, ENVIRONMENTAL AND ARCHITECTURAL ENGINEERING  
*Building materials testing Laboratory*

Sede: via Marzolo n. 11/A - 35131 PADOVA  
Segreteria: +39.049.827.5607

Fax: +39.049.827.5587  
e-mail: lab.materiali@dicea.unipd.it

## TEST REPORT N. 35372

Page 2/2

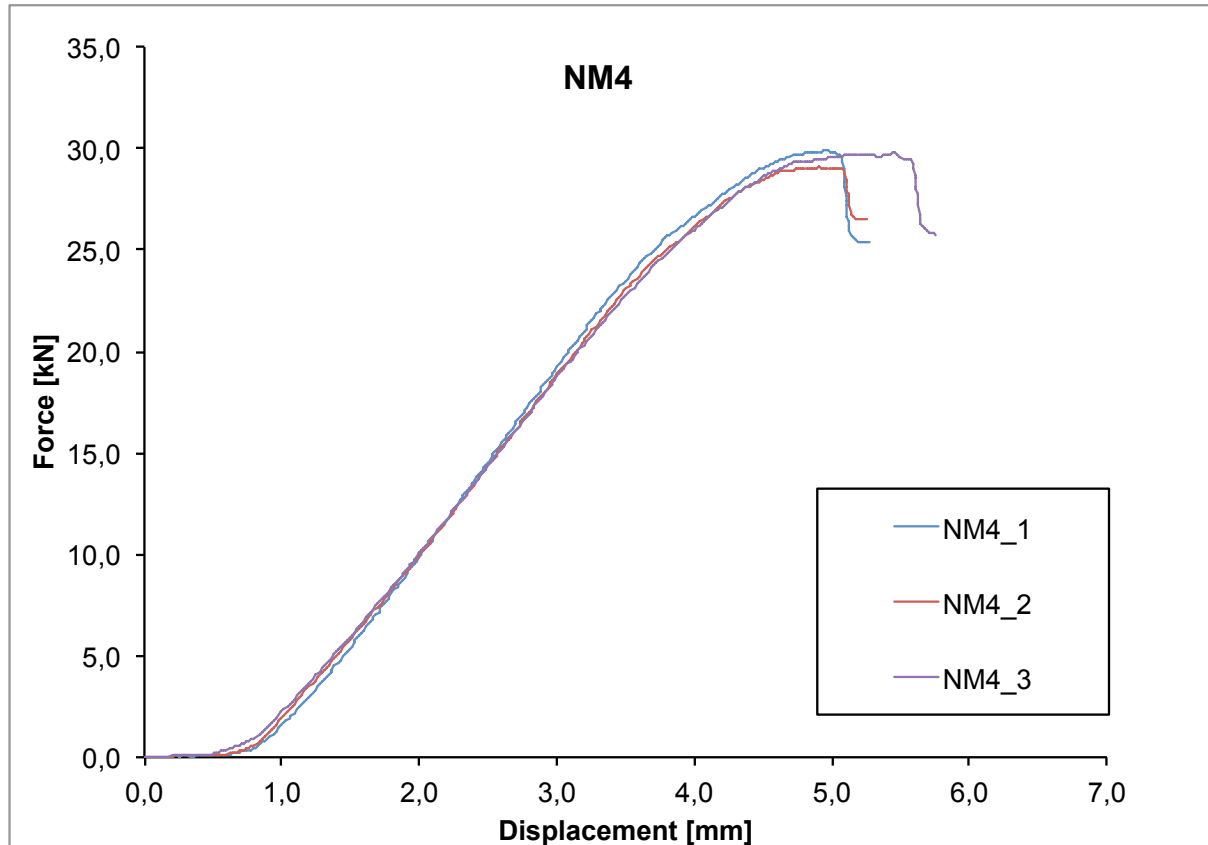


Figure 1 Diagram force versus displacement of testing machine's crossbar for "NEW-MAXI NM4" specimen.

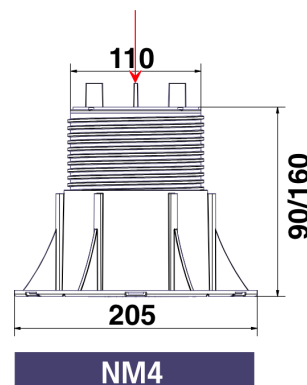


Figure 2 Typical "New-Maxi NM4" specimen.

Padova, May 2<sup>nd</sup>, 2013

Laboratory Chief  
(Prof. **Claudio Modena**)

Department Chief  
(Prof. **Carmelo Majorana**)