



UNIVERSA
UNIVERSIS
PATAVINA
LIBERTAS

UNIVERSITÀ DEGLI STUDI DI PADOVA

DIPARTIMENTO DI INGEGNERIA CIVILE, EDILE E AMBIENTALE
Laboratorio Sperimentale per le Prove sui Materiali da Costruzione
DEPARTMENT OF CIVIL, ENVIRONMENTAL AND ARCHITECTURAL ENGINEERING
Building materials testing Laboratory

Sede: via Marzolo n. 11/A - 35131 PADOVA
Segreteria: +39.049.827.5607

Fax: +39.049.827.5587
e-mail: lab.materiali@dicea.unipd.it

TEST REPORT N. 34731

Page 1/2

Applicant: Eterno Ivica S.r.l., via Austria Z.I. n. 25/E - Padova

Application: Received at 29/06/2012

Material: 9 samples of pedestal "ETERNO SE2" series, received at 29/06/2012

Required test: Measure the maximum compressive load of the specimen and the displacement of the testing machine's crossbar.

Testing method: The compression tests were made for all the 9 samples. The components of the pedestal had been assembled and the four tabs removed, the height of pedestal was regulated to the maximum (75 mm), medium (62.5 mm) e minimum (50 mm) stroke of the screw.

Testing speed set to 10 mm/min (checking movement of moving crossbar of the universal testing machine Galdabini, type Sun/60, with a load capacity of 600 kN). The load applied with two hardened steel plate at the centred on the pedestal. The values of maximum load (F_{max}) are the values of load at first failure/rupture or at the displacement of 6 mm.

The testing machine's certificate of calibration is n°036-12F about Calibration centre LAT n° 34 with due data January 19th, 2013

Test activities were carried out on September 20th, 2012.

For any technical and dimensional detail, assembling scheme and any other information not included in this document, brochures and technical data sheets are at Applicant's disposal.

Test Result

Specimen	Max Load F_{max} [kN]	Stroke at F_{max} [mm]
H _{max_1}	9.65	4.8
H _{max_2}	9.49	4.5
H _{max_3}	12.35	5.0
H _{med_1}	15.81	5.6
H _{med_2}	17.18	5.9
H _{med_3}	16.42	5.6
H _{min_1}	39.53	6.0
H _{min_2}	36.59	6.0
H _{min_3}	44.03	6.0

Padova, November 28th, 2012

Laboratory Chief
(Prof. **Claudio Modena**)

Department Chief
(Prof. **Carmelo Majorana**)



UNIVERSA
UNIVERSIS
PATAVINA
LIBERTAS

UNIVERSITÀ DEGLI STUDI DI PADOVA

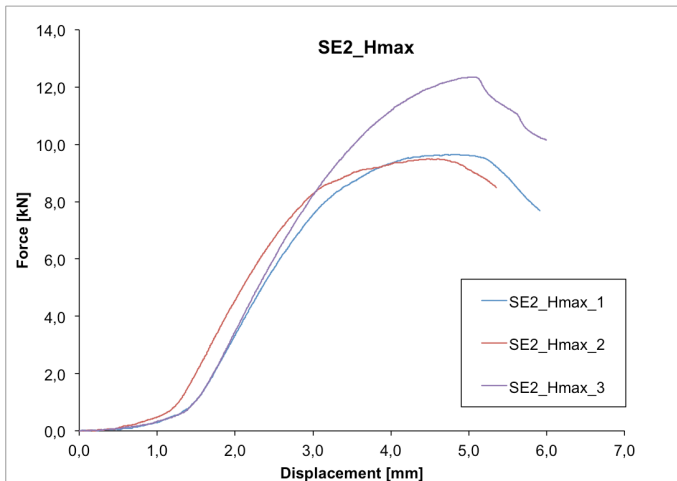
DIPARTIMENTO DI INGEGNERIA CIVILE, EDILE E AMBIENTALE
Laboratorio Sperimentale per le Prove sui Materiali da Costruzione
DEPARTMENT OF CIVIL, ENVIRONMENTAL AND ARCHITECTURAL ENGINEERING
Building materials testing Laboratory

Sede: via Marzolo n. 11/A - 35131 PADOVA
Segreteria: +39.049.827.5607

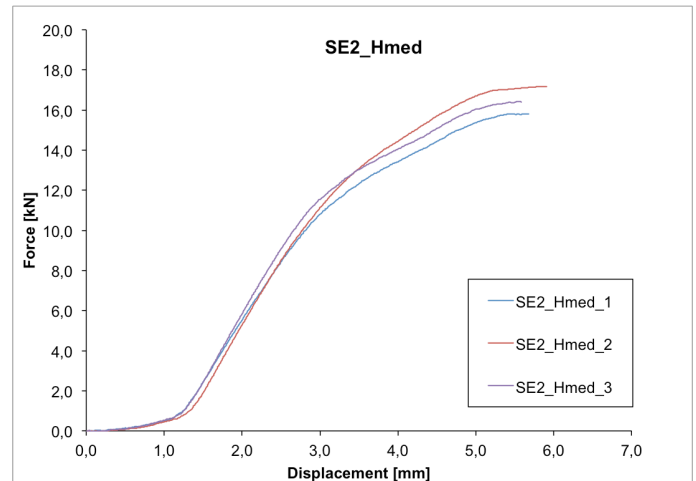
Fax: +39.049.827.5587
e-mail: lab.materiali@dicea.unipd.it

TEST REPORT N. 34731

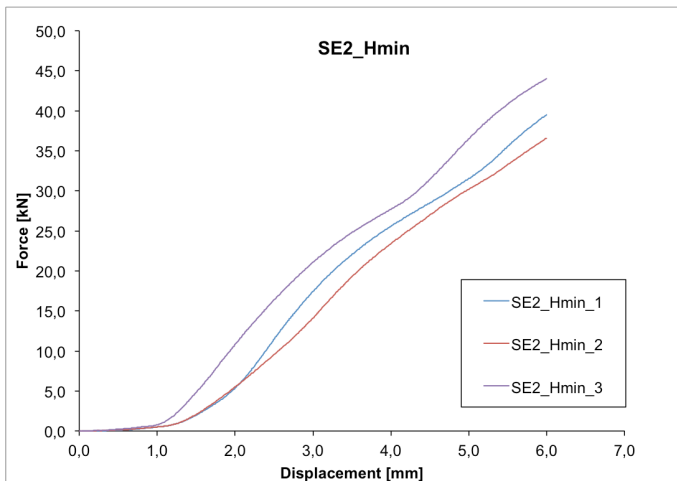
Page 2/2



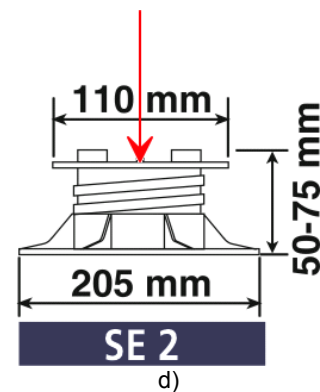
a)



b)



c)



d)

Figure 1 Diagram force versus displacement of testing machine's crossbar for Hmax (a), Hmed (b), Hmin (c) and typical "Eterno SE2" specimen (d).

The annex A (Report n. 35342) contains explanation about specimens, test machine and definition of maximum load adopted.

Padova, November 28th, 2012

Laboratory Chief
(Prof. **Claudio Modena**)

Department Chief
(Prof. **Carmelo Majorana**)

The results refer to the samples tested. This report cannot be reproduced without explicit authorization from the Building materials testing Laboratory and it isn't a product certification.