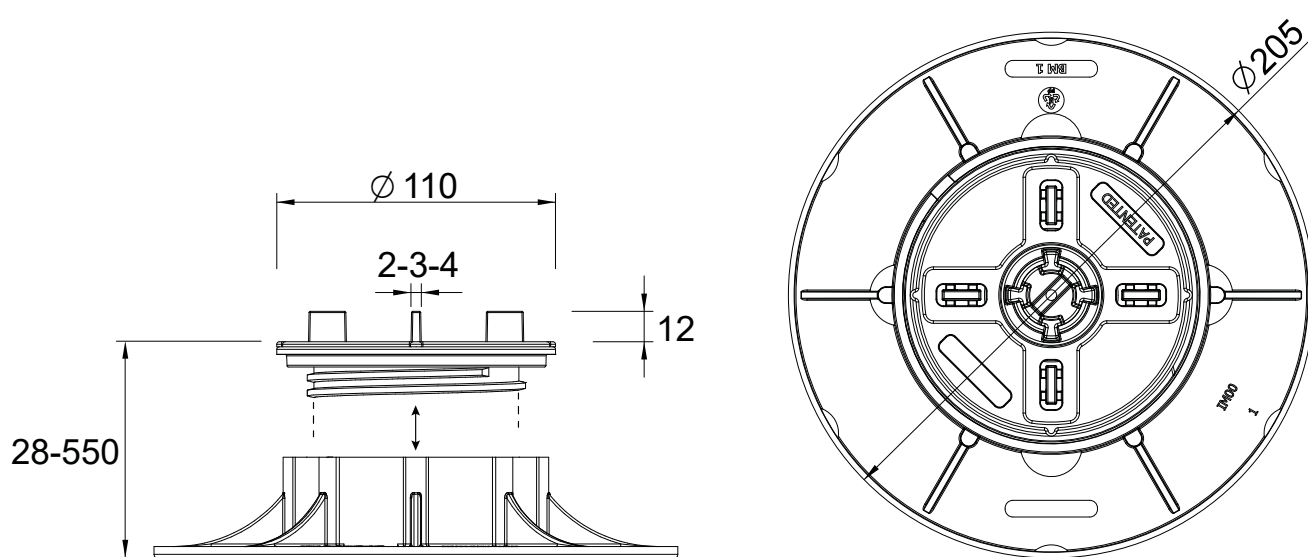


TECHNICAL DATA SHEET

- SE FAMILY -



ITEM SPECIFICATION:

“Eterno” pedestal are composed of 3 elements:

A cylindrical base element of 205mm diameter with holes for water drainage and n. 4 “guide” lines to facilitate the cutting in case of need.

A screw with variable height from 28mm to 550mm, is equipped with an unscrewing safety lock.

A head with n. 4 spacing tabs of 12mm height and 2-3-4mm thickness, easily removable in case of need and a anti slip ribber on the top.

The height adjustment is carried out by our special adjustment key, which acts on the screw independently from both the head and the base.

PRODUCT RANGE:

CHARACTERISTICS:

Adjustable in hightness
Bi-component material (PP and rubber)
Regulation key for highness adjustment
Easy removable tabs

RAW MATERIAL:

Polypropylene and rubber (head top finishing)

ENVIRONMENTAL IMPACT:

recyclable material - not dangerous

APPLICATIONS SURFACES:

On any waterproofing membrane
On any insulating hard panel
On any compact and solid surface

APPLICATIONS AREA:

Usable with any prefabricated self sustaining element for outdoor flooring, with minimum thickness of 15mm

GENERAL CHARACTERISTICS & PROPERTIES

	UNIT	VALUE	+/- N°
BASE DIAMETER	mm	205	+/- 1.0
BASE THICKNESS	mm	5	+/- 0.2
HEAD DIAMETER	mm	110	+/- 0.8
SURFACE OF THE BASE	cmq	330	+/- 5
TABS THICKNESS	mm	2-3-4	+/- 0.2
TABS HIGHNESS	mm	12	+/- 0.2
SHORE	Shore d	70	+/- 3
SLOPE CORRECTION		%	0-5
FIRE REACTION*	class	UNI EN**	E
LOW T(°C) REACTION	°C		-40

*Tests made by Giordano S.p.A. Institute of Bellaria-Igea Marina (RN)-Italy
**UNI-EN 13501-1:2009

TECHNICAL DATA SHEET

- SE FAMILY -



PARTICULAR CHARACTERISTICS & PROPERTIES

SEO_E240028038	UNIT	VALUE	+/- N°
min HEIGHNESS	mm	28	+/- 1,0
MAX HEIGHNESS	mm	38	+/- 1,5
WEIGHT	kg	0.252	+/- 5 %
MAX CENTRAL COMPRESSION LOADING RESISTANCE*	kN	19.93	/
MAX ECCENTRIC COMPRESSION LOADING RESISTANCE*	kN	11.61	/

PACK/STORAGE	
PIECES PER BOX	25
BOXES PER PALLET	60
BOX DIMENSION	40x40x22cm
BOX WEIGHT	6.4kg
PALLET	80x120cm

SE1_E240037050	UNIT	VALUE	+/- N°
min HEIGHNESS	mm	37.5	+/- 1,0
MAX HEIGHNESS	mm	50	+/- 1,5
WEIGHT	kg	0.320	+/- 5 %
MAX CENTRAL COMPRESSION LOADING RESISTANCE*	kN	16.06	/
MAX ECCENTRIC COMPRESSION LOADING RESISTANCE*	kN	11.49	/

PACK/STORAGE	
PIECES PER BOX	25
BOXES PER PALLET	48
BOX DIMENSION	40x40x28cm
BOX WEIGHT	8kg
PALLET	80x120cm

SE2_E240050075	UNIT	VALUE	+/- N°
min HEIGHNESS	mm	50	+/- 1,0
MAX HEIGHNESS	mm	75	+/- 1,5
WEIGHT	kg	0.352	+/- 5 %
MAX CENTRAL COMPRESSION LOADING RESISTANCE*	kN	16.47	/
MAX ECCENTRIC COMPRESSION LOADING RESISTANCE*	kN	14.04	/

PACK/STORAGE	
PIECES PER BOX	25
BOXES PER PALLET	36
BOX DIMENSION	40x40x34cm
BOX WEIGHT	8.8kg
PALLET	80x120cm

SE3_E240075120	UNIT	VALUE	+/- N°
min HEIGHNESS	mm	75	+/- 1,0
MAX HEIGHNESS	mm	120	+/- 1,5
WEIGHT	kg	0.458	+/- 5 %
MAX CENTRAL COMPRESSION LOADING RESISTANCE*	kN	19.55	/
MAX ECCENTRIC COMPRESSION LOADING RESISTANCE*	kN	15.23	/

PACK/STORAGE	
PIECES PER BOX	25
BOXES PER PALLET	24
BOX DIMENSION	40x60x33cm
BOX WEIGHT	11.45kg
PALLET	80x120cm

SE4_E240120170	UNIT	VALUE	+/- N°
min HEIGHNESS	mm	120	+/- 1,0
MAX HEIGHNESS	mm	170	+/- 1,5
WEIGHT	kg	0.518	+/- 5 %
MAX CENTRAL COMPRESSION LOADING RESISTANCE*	kN	20.98	/
MAX ECCENTRIC COMPRESSION LOADING RESISTANCE*	kN	17.84	/

PACK/STORAGE	
PIECES PER BOX	25
BOXES PER PALLET	20
BOX DIMENSION	40x62x40cm
BOX WEIGHT	13kg
PALLET	80x120cm

SE5_E240170215	UNIT	VALUE	+/- N°
min HEIGHNESS	mm	170	+/- 1,0
MAX HEIGHNESS	mm	215	+/- 1,5
WEIGHT	kg	0.609	+/- 5 %
MAX CENTRAL COMPRESSION LOADING RESISTANCE*	kN	18.67	/
MAX ECCENTRIC COMPRESSION LOADING RESISTANCE*	kN	14.62	/

PACK/STORAGE	
PIECES PER BOX	25
BOXES PER PALLET	20
BOX DIMENSION	40x62x40cm
BOX WEIGHT	15.2kg
PALLET	80x120cm

TECHNICAL DATA SHEET

- SE FAMILY -



PARTICULAR CHARACTERISTICS & PROPERTIES

SE6_E240140230	UNIT	VALUE	+/- N°
min HEIGHNESS	mm	140	+/- 1,0
MAX HEIGHNESS	mm	230	+/- 1,5
WEIGHT	kg	0.694	+/- 5 %
MAX CENTRAL COMPRESSION LOADING RESISTANCE*	kN	16.3	/
MAX ECCENTRIC COMPRESSION LOADING RESISTANCE*	kN	10.71	/

PACK/STORAGE	
PIECES PER BOX	25 SE3 + 25 P1
BOXES PER PALLET	24 / 42
BOX DIMENSION	40x60x33cm / 29.5x39x39cm
BOX WEIGHT	11.45kg + 5.9kg
PALLET	80x120cm

SE7_E240185275	UNIT	VALUE	+/- N°
min HEIGHNESS	mm	185	+/- 1,0
MAX HEIGHNESS	mm	275	+/- 1,5
WEIGHT	kg	0.754	+/- 5 %
MAX CENTRAL COMPRESSION LOADING RESISTANCE*	kN	16.14	/
MAX ECCENTRIC COMPRESSION LOADING RESISTANCE*	kN	12.28	/

PACK/STORAGE	
PIECES PER BOX	25 SE4 + 25 P1
BOXES PER PALLET	20 / 42
BOX DIMENSION	40x62x40cm / 29.5x39x39cm
BOX WEIGHT	13kg + 5.9kg
PALLET	80x120cm

SE8_E240235325	UNIT	VALUE	+/- N°
min HEIGHNESS	mm	235	+/- 1,0
MAX HEIGHNESS	mm	325	+/- 1,5
WEIGHT	kg	0.845	+/- 5 %
MAX CENTRAL COMPRESSION LOADING RESISTANCE*	kN	15.02	/
MAX ECCENTRIC COMPRESSION LOADING RESISTANCE*	kN	12.68	/

PACK/STORAGE	
PIECES PER BOX	25 SE5 + 25 P1
BOXES PER PALLET	20 / 42
BOX DIMENSION	40x62x40cm / 29.5x39x39cm
BOX WEIGHT	15.2kg + 5.9kg
PALLET	80x120cm

SE9_E240205345	UNIT	VALUE	+/- N°
min HEIGHNESS	mm	205	+/- 1,0
MAX HEIGHNESS	mm	345	+/- 1,5
WEIGHT	kg	0.93	+/- 5 %
MAX CENTRAL COMPRESSION LOADING RESISTANCE*	kN	15.32	/
MAX ECCENTRIC COMPRESSION LOADING RESISTANCE*	kN	11.01	/

PACK/STORAGE	
PIECES PER BOX	25 SE3 + 25 P1(X2)
BOXES PER PALLET	24 / 42
BOX DIMENSION	40x60x33cm / 29.5x39x39cm
BOX WEIGHT	11.45kg + 5.9kg(X2)
PALLET	80x120cm

SE10_E240250385	UNIT	VALUE	+/- N°
min HEIGHNESS	mm	250	+/- 1,0
MAX HEIGHNESS	mm	385	+/- 1,5
WEIGHT	kg	0.99	+/- 5 %
MAX CENTRAL COMPRESSION LOADING RESISTANCE*	kN	14.95	/
MAX ECCENTRIC COMPRESSION LOADING RESISTANCE*	kN	12.30	/

PACK/STORAGE	
PIECES PER BOX	25 SE4 + 25 P1(X2)
BOXES PER PALLET	20 / 42
BOX DIMENSION	40x62x40cm / 29.5x39x39cm
BOX WEIGHT	13kg + 5.9kg(X2)
PALLET	80x120cm

SE11_E240300400	UNIT	VALUE	+/- N°
min HEIGHNESS	mm	300	+/- 1,0
MAX HEIGHNESS	mm	400	+/- 1,5
WEIGHT	kg	1.08	+/- 5 %
MAX CENTRAL COMPRESSION LOADING RESISTANCE*	kN	15.02	/
MAX ECCENTRIC COMPRESSION LOADING RESISTANCE*	kN	13.81	/

PACK/STORAGE	
PIECES PER BOX	25 SE5 + 25 P1(X2)
BOXES PER PALLET	20 / 42
BOX DIMENSION	40x62x40cm / 29.5x39x39cm
BOX WEIGHT	15.2kg + 5.9kg(X2)
PALLET	80x120cm

TECHNICAL DATA SHEET

- SE FAMILY -



PARTICULAR CHARACTERISTICS & PROPERTIES

SE12_E240270455	UNIT	VALUE	+/- N°
min HEIGHNESS	mm	270	+/- 1,0
MAX HEIGHNESS	mm	455	+/- 1,5
WEIGHT	kg	1.17	+/- 5 %
MAX CENTRAL COMPRESSION LOADING RESISTANCE*	kN	15.85	/
MAX ECCENTRIC COMPRESSION LOADING RESISTANCE*	kN	11.13	/

PACK/STORAGE	
PIECES PER BOX	25 SE3 + 25 P1(X3)
BOXES PER PALLET	24 / 42
BOX DIMENSION	40x60x33cm / 29.5x39x39cm
BOX WEIGHT	11.45kg + 5.9kg(X3)
PALLET	80x120cm

SE13_E240315500	UNIT	VALUE	+/- N°
min HEIGHNESS	mm	315	+/- 1,0
MAX HEIGHNESS	mm	500	+/- 1,5
WEIGHT	kg	1.23	+/- 5 %
MAX CENTRAL COMPRESSION LOADING RESISTANCE*	kN	16.06	/
MAX ECCENTRIC COMPRESSION LOADING RESISTANCE*	kN	11.49	/

PACK/STORAGE	
PIECES PER BOX	25 SE4 + 25 P1(X3)
BOXES PER PALLET	20 / 42
BOX DIMENSION	40x62x40cm / 29.5x39x39cm
BOX WEIGHT	13kg + 5.9kg(X3)
PALLET	80x120cm

SE14_E240365550	UNIT	VALUE	+/- N°
min HEIGHNESS	mm	365	+/- 1,0
MAX HEIGHNESS	mm	550	+/- 1,5
WEIGHT	kg	1.32	+/- 5 %
MAX CENTRAL COMPRESSION LOADING RESISTANCE*	kN	16.07	/
MAX ECCENTRIC COMPRESSION LOADING RESISTANCE*	kN	11.92	/

PACK/STORAGE	
PIECES PER BOX	25 SE5 + 25 P1(X3)
PIECES PER PALLET	20 / 42
BOX DIMENSION	40x62x40cm / 29.5x39x39cm
BOX WEIGHT	15.2kg + 5.9kg(X3)
PALLET	80x120cm

*Tests made by Civil and Environmental Department of University of Padova. 1 kN = 98,6 kg

The above data are relevant to current production and may be changed or updated by Eterno Ivica at any time without notice. Given the many possible uses and the possible interference of external elements, we do not assume responsibility for the results. The buyer is required to establish under their own responsibility the suitability of the product for the intended use. This document is property of Eterno Ivica. All rights reserved.

